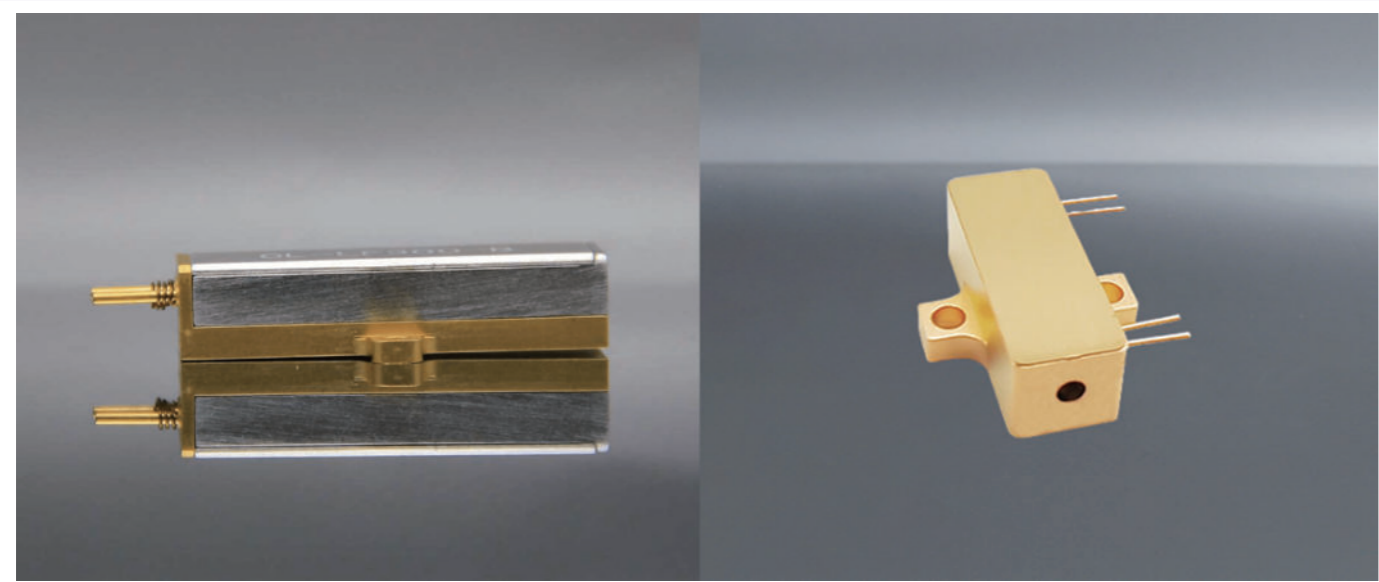


1535nm Eye Safe Laser



DESCRIPTION

1535 nm laser is one of the series of solid state laser provided by Crylink. It is based on the bonding crystal of Er: glass and Co: Spinel. It's a good erbium laser. Due to our mature bonding and packaging technology, our 1535 nm laser also can be called as 1535 nm microchip laser.

The most important advantage of our 1535 nm laser is its safety to users' eyes. Because there is higher access of human eyes to 1535 nm laser than other lasers (like 1064 nm Nd:YAG laser). Besides, our 1535 nm laser can provide large pulsed laser energy up to 400 uJ. And lighter weight and smaller size are its other brightened spots.

Our 1535 nm laser has wide applications in infra red scope. It can be used as light source in lightweight lidar sensor, as well as in laser range finder.

FEATURES

- The laser pulse width can reach 5ns
- Maximum PRF to 1kHz
- Pulse energy up to 400μJ

APPLICATIONS

- Laser Ranging
- Lidar

LOW / HIGH ENERGY 1535 LASER MODULE PRODUCT MODEL

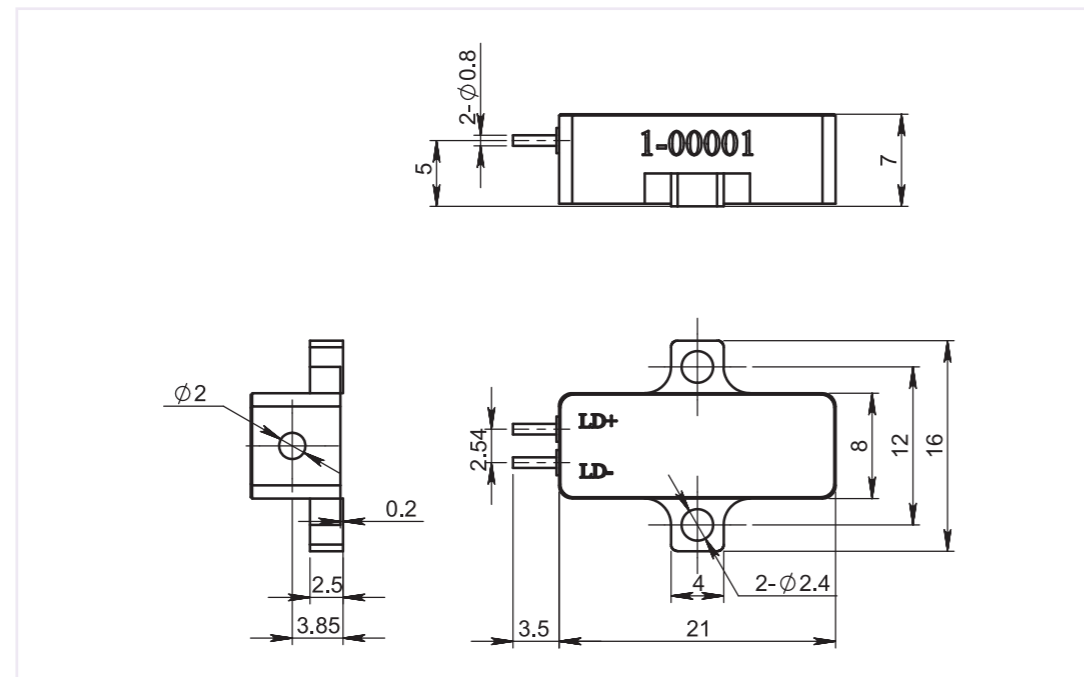
Items	Value						
Model	CL-LF100-B	CL-LF200-B	CL-LF300-B	CL-LF400-B	CL-LF500-B	CL-LF800-B	CL-LF1000-B
Wavelength	1535nm	1535nm	1535nm	1535nm	1535nm	1535nm	1535nm
Output Energy	100μJ	200μJ	300μJ	400μJ	500μJ	800μJ	1000μJ
Pulse Width	3ns	4ns	4ns	5ns	5ns	6ns	6ns
Repetition Rate	10Hz	10Hz	10Hz	10Hz	10Hz	10Hz	5Hz
Divergence Angle	≤11mrad	≤10mrad	≤9mrad	≤9mrad	≤9mrad	≤7mrad	≤7mrad
Beam mode	TEM ₀₀	TEM ₀₀	TEM ₀₀	TEM ₀₀	TEM ₀₀	TEM ₀₀	TEM ₀₀
Working Current	8A	8A	12A	15A	20A	30A	30A
Operating Voltage	2V	2V	2V	2V	2V	2V	2V
Weight	8g	8g	10g	13g	13g	13g	13g
Size	21x8x7mm ³	21x8x7mm ³	25x8x7mm ³	32x8x7mm ³	32x8x7mm ³	32x8x7mm ³	32x8x7mm ³
Working Temperature Range	-40℃~+65℃	-40℃~+65℃	-40℃~+65℃	-40℃~+65℃	-40℃~+65℃	-40℃~+65℃	-40℃~+65℃
Storage Temperature Range	-45℃~+80℃	-45℃~+80℃	-45℃~+80℃	-45℃~+80℃	-45℃~+80℃	-45℃~+80℃	-45℃~+80℃

Note: *This model has a built-in PIN, and the PIN amplitude is 2-3V@50Ω impedance

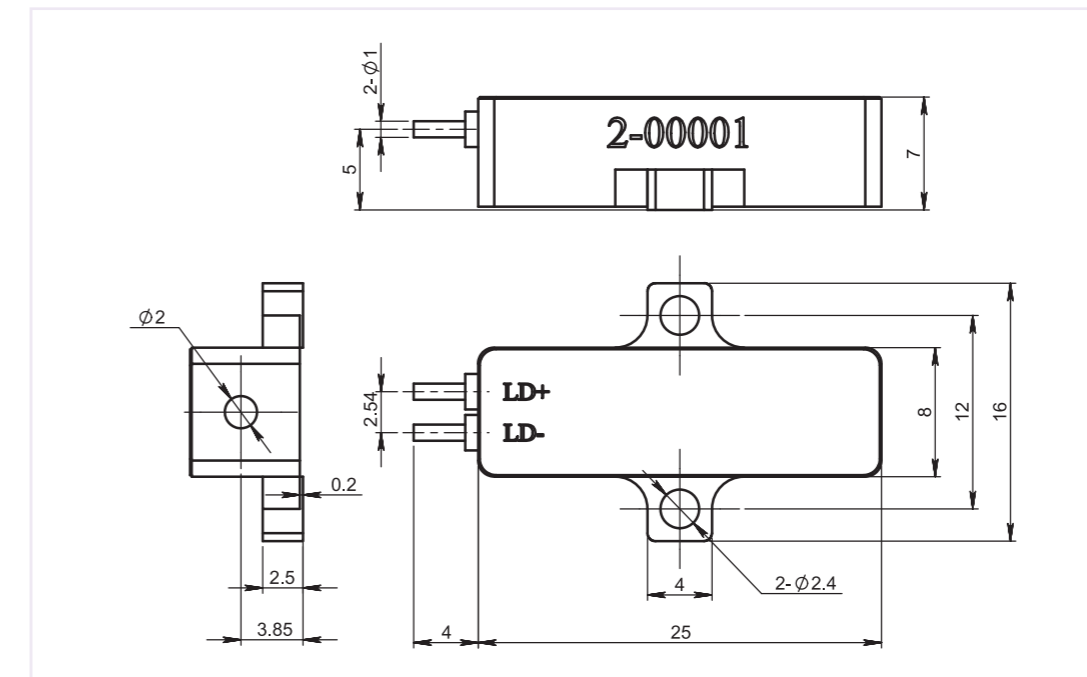
HIGH REPETITION 1535 LASER MODULE PRODUCT MODEL

Model	CL-HF40-B	CL-HF20-B	CL-HF10-B
Wavelength	1535nm	1535nm	1535nm
Output Energy	40μJ	20μJ	10μJ
Pulse Width	5ns	6ns	8ns
Repetition Rate	1KHz	2.5KHz	5KHz
Divergence Angle	20mrad	17mrad	18mrad
Working voltage	2V	2V	2V
Energy Stability (RMS)	3%	3%	3%
Beam mode	TEM ₀₀	TEM ₀₀	TEM ₀₀
Working Current	5A	5A	5A
Weight	10g	10g	10g
Size	25x8x7mm ³	25x8x7mm ³	25x8x7mm ³
Working Temperature Range	-40℃~+65℃	-40℃~+65℃	-40℃~+65℃
Storage Temperature Range	-45℃~+80℃	-45℃~+80℃	-45℃~+80℃

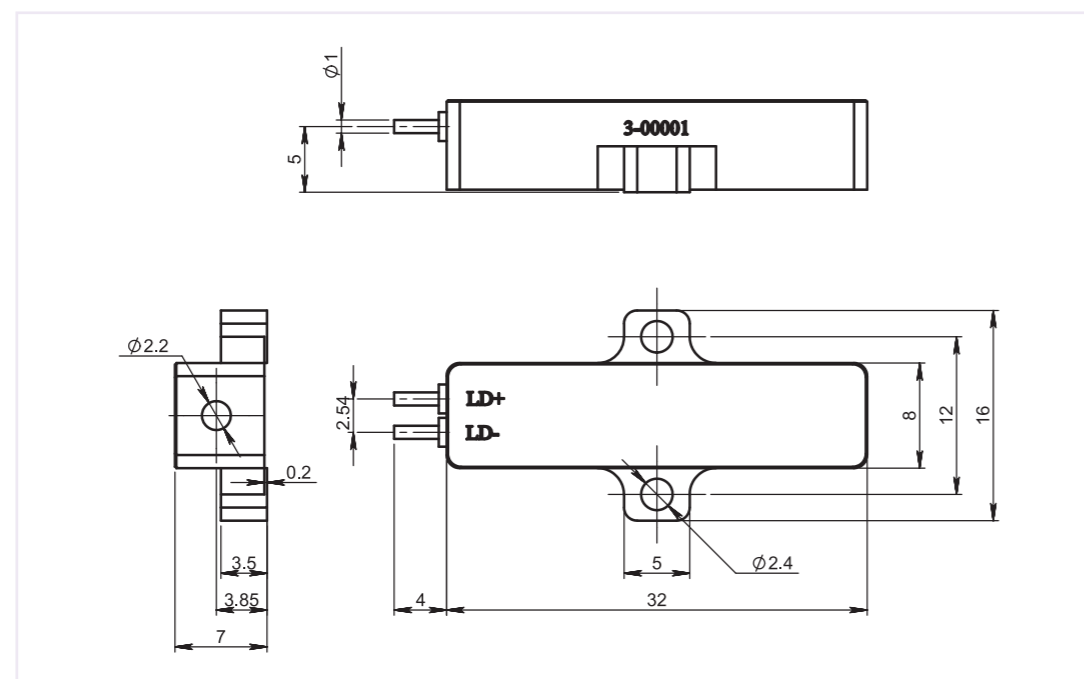
OUTLINE SIZE (mm)



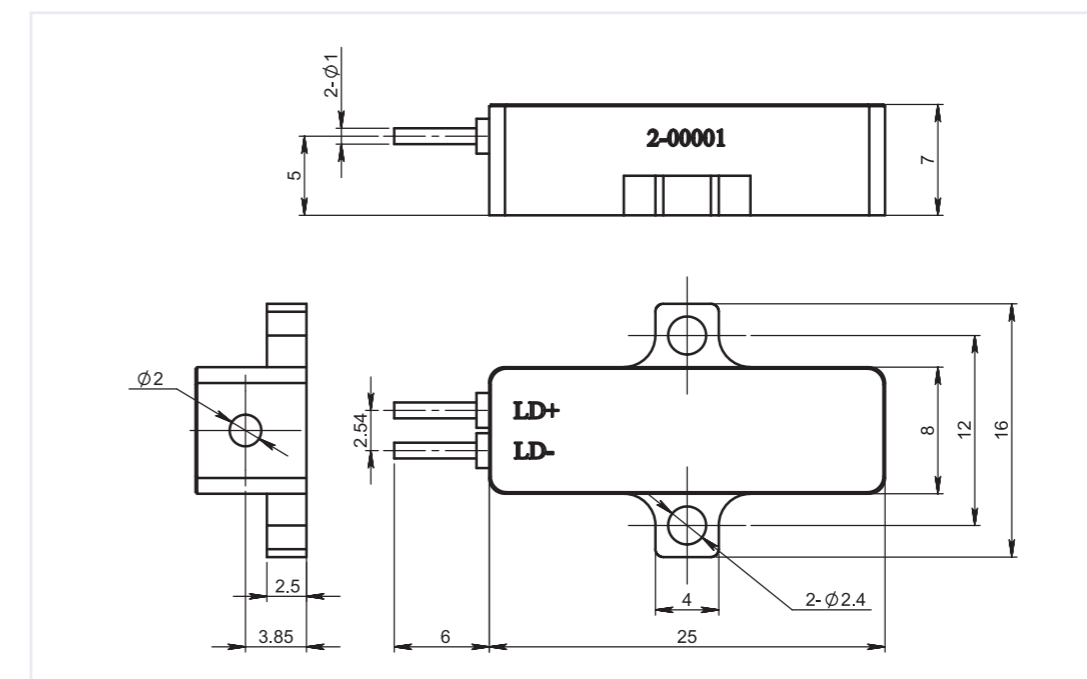
CL-LF100-B, CL-LF200-B



CL-LF300-B



CL-LF400-B, CL-LF500-B, CL-LF800-B, CL-LF1000-B



CL-HF40-B, CL-HF20-B, CL-HF10-B

