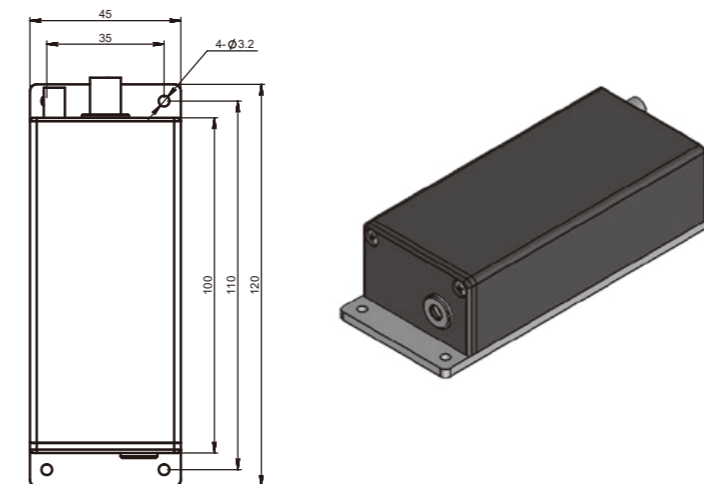
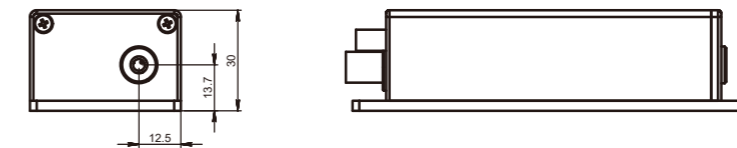
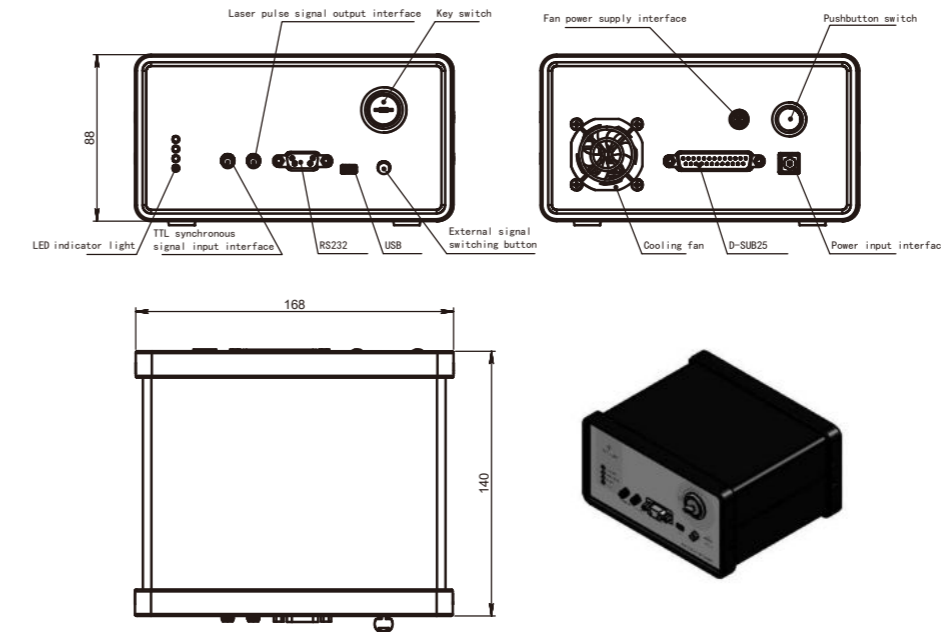


355nm Nd:YAG q-switched nanosecond laser MA Microchip laser system



OUTLINE SIZE(mm)



DESCRIPTION

Our 355nm laser is based on the technology of diode pump laser module and q-switch. Nd:YAG crystal is used to manufacture 355nm laser. Crylink can provide 1.5ns, 1ns, 500ps, 550ps and 300ps 355nm microchip laser.

Our 355nm microchip laser has narrow laser pulse width. At the same time, it has high pulse repetition frequency. As a microchip laser, its size is small and its weight is light certainly. Our laser's beam quality is excellent.

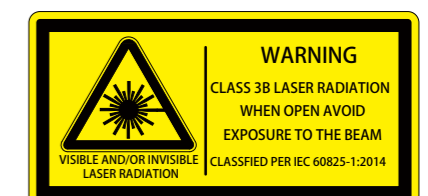
As a uv laser, 355nm microchip laser plays an important role in many fields. It can be used in environment monitoring systems, 3d dental scan, laser ultrasound, laser ionization mass spectrometry and so on.

FEATURES

- Pulse width up to 1ns
- Pulse energy up to 200μJ
- Repetition frequency up to 20kHz
- Beam mode is TEM₀₀
- Fully sealed design, high reliability

APPLICATIONS

- Lidar
- Laser ranging
- Atmospheric monitoring
- Laser ultrasonic inspection
- Optical metrology
- Laser-induced fluorescence



PARAMETERS

Model	CL355-1kHz-30μJ-MA005	CL355-5kHz-10μJ-MA006	CL355-10kHz-5μJ-MA007	CL355-20kHz-3μJ-MA008	
Optical parameter	Wavelength (nm)	355	355	355	355
	Repetition frequency (kHz)	1*	5*	10*	20*
	Average power (mW)	30	50	50	60
	Output energy (μJ)	30	10	5	3
	Pulse width (ps)	1500	1200	1200	1200
	Power stability (8h)	±3%	±3%	±3%	±3%
	Beam mode	TEM ₀₀	TEM ₀₀	TEM ₀₀	TEM ₀₀
	Full-angle divergence angle Typ. (Mrad) level @1/e ²	5	5	5	5
	Vertical @1/e ²	5	5	5	5
Polarization characteristics	> 100:1	> 100:1	> 100:1	> 100:1	
System parameters	System power consumption (W)	≤35	≤35	≤35	≤35
	Power input	100-240 VAC, 50/60Hz	100-240 VAC, 50/60Hz	100-240 VAC, 50/60Hz	100-240 VAC, 50/60Hz
	Control interface	RS232, USB	RS232, USB	RS232, USB	RS232, USB
	Power supply size (W×H×L, mm)	168×88×140	168×88×140	168×88×140	168×88×140
	Laser head size (W×H×L, mm)	45×30×120	45×30×120	45×30×120	45×30×120
	Working temperature (°C)	15-35	15-35	15-35	15-35
	Storage temperature (°C)	0-60	0-60	0-60	0-60

1.*The light outlet of the laser head is side outlet. See the mechanical dimension drawing for details

2.Customized internal beam expansion function to meet the requirements of small divergence angle (less than 2mrad)

