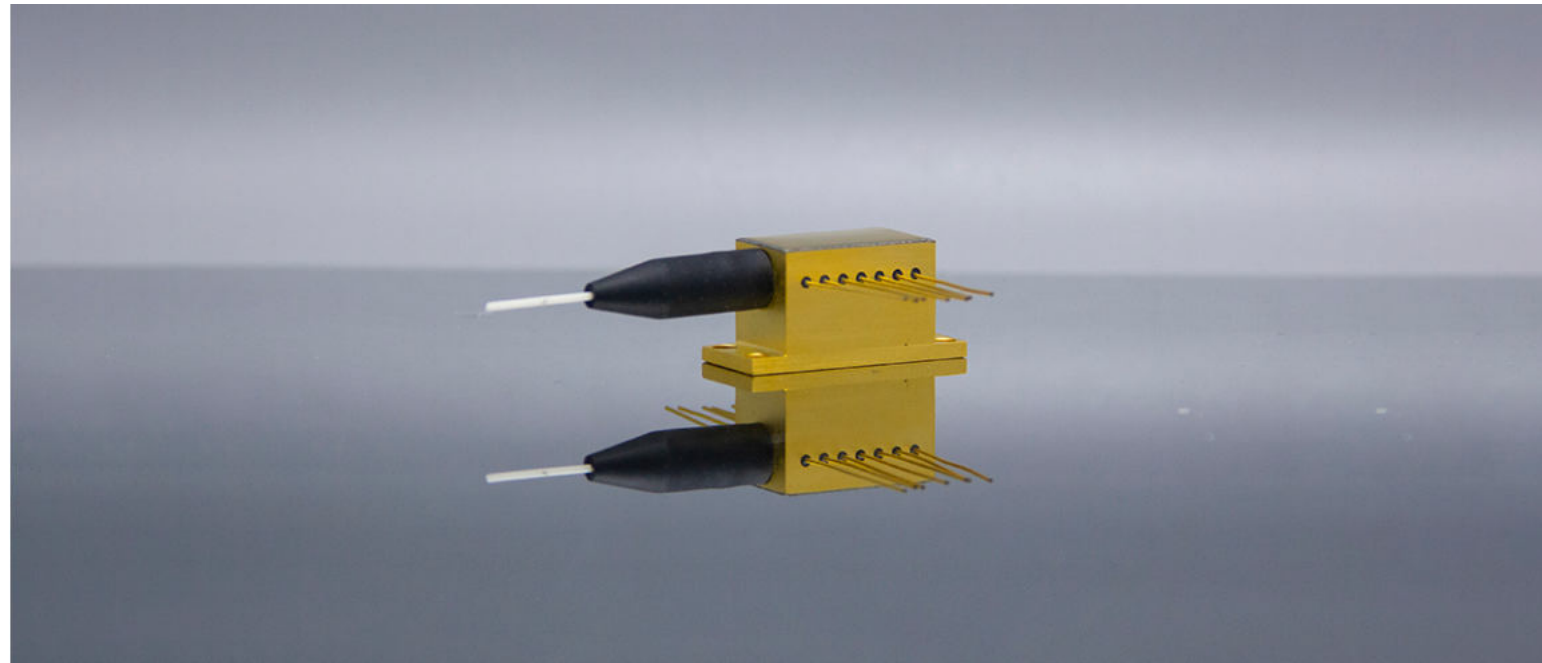
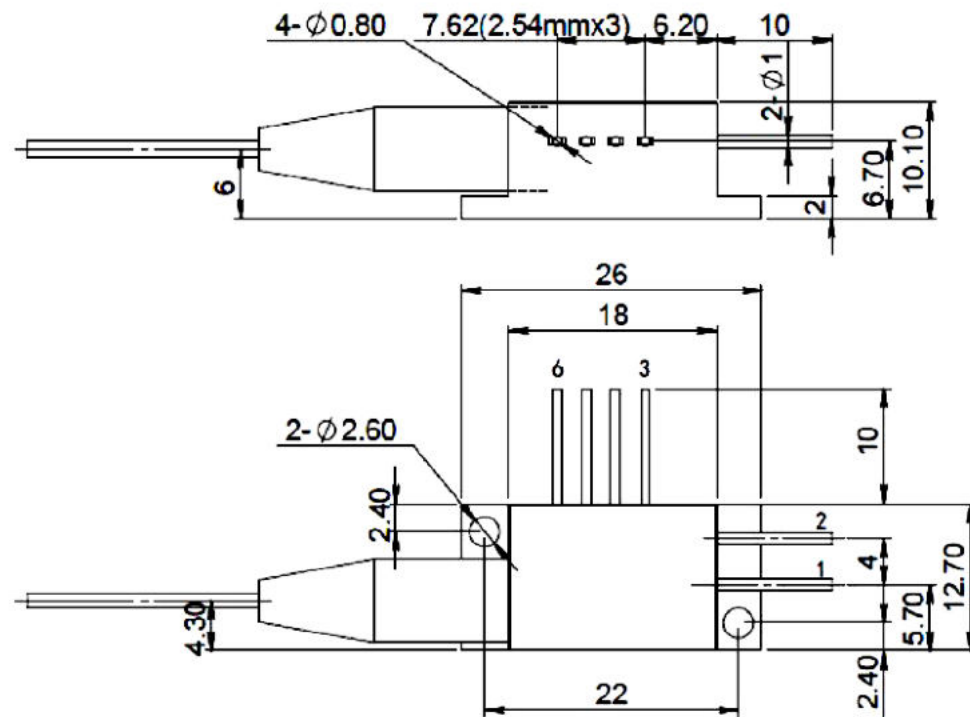


# 976nm Stable Wavelength Semiconductor Laser



## OUTLINE SIZE(mm)



## PARAMETERS

Model	CL976-0.5-7W-SWL003	
Optical Parameter	Continuous Output Power (mW)	7
	Center Wavelength (nm)	976 $\pm$ 0.5
	Spectral Width (nm)	<6.0
	Characteristics of Wavelength With Temperature (nm/ $^{\circ}$ C)	0.03
	Characteristics of Wavelength With Current (nm/A)	0.05
	Anti-Reflection Protection (dB)	>40
Electrical Parameter	Threshold Current (mA)	0.5
	Operating Current (mA)	9
	Operating Voltage (V)	1.8
	Differential Efficiency (W/A)	0.8
Optical Fiber Parameter	Fiber Diameter ( $\mu$ m)	105
	Fiber Cladding Diameter ( $\mu$ m)	125
	Fiber Coating Diameter ( $\mu$ m)	250
	Numerical Aperture	0.22
	Fiber length (m)	1
	Other Parameter	Operating Temperature ( $^{\circ}$ C)
Operating Relative Humidity (%)		75
Storage Temperature ( $^{\circ}$ C)		-20~70
Storage Relative Humidity (%)		90
Pin Soldering Temperature, Max ( $^{\circ}$ C)		250(10 Sec.)

## FEATURES

- Output power: 7W
- Wavelength: 976 $\pm$ 0.5nm Lock wavelength
- IFiber core diameter: 105  $\mu$ m
- Numerical aperture: 0.22NA
- Anti-reflection protection of fiber laser
- Current locking range: 2-9A
- Temperature locking range: 22-26  $^{\circ}$ C

