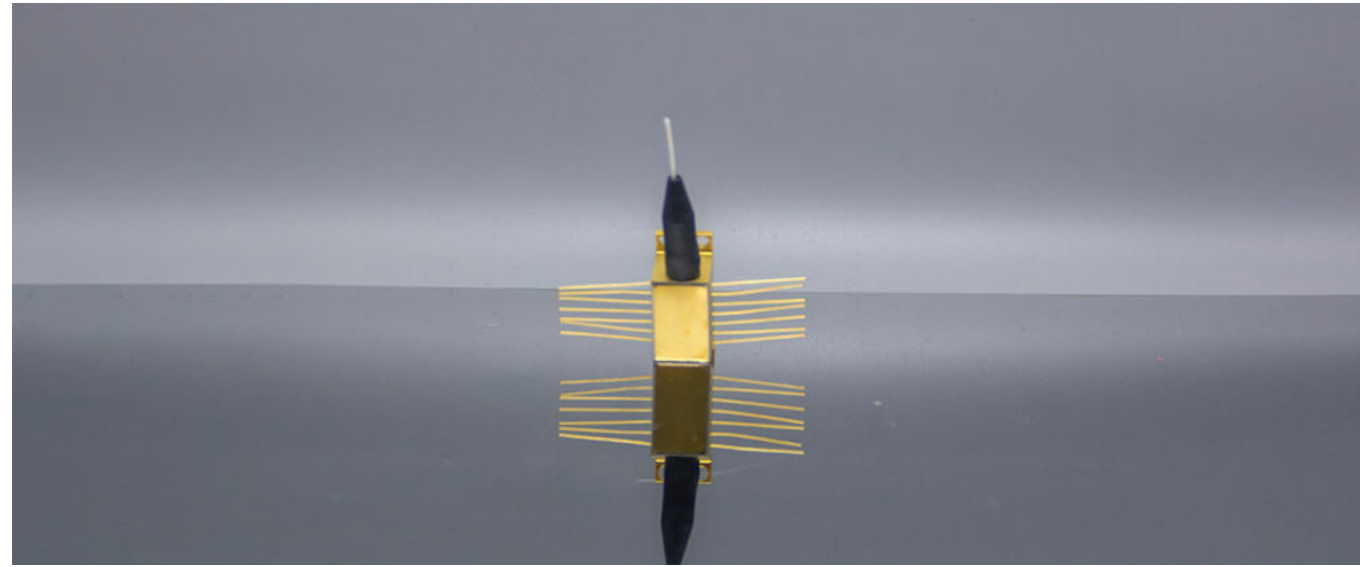


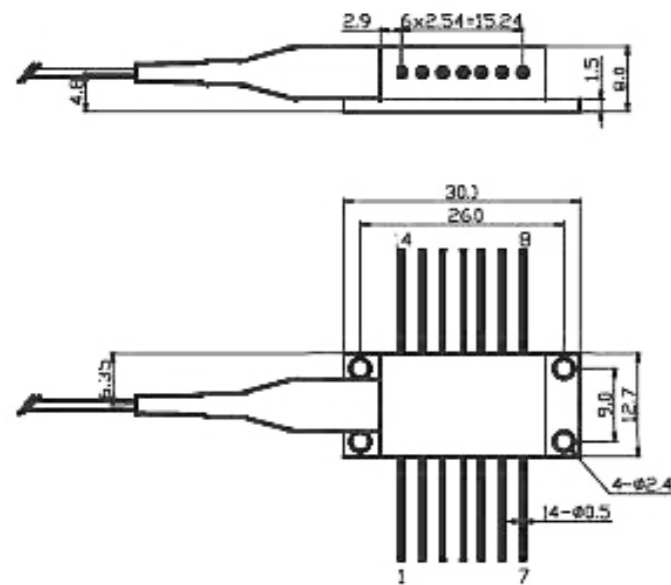
830nm Stable Wavelength Semiconductor Laser



FEATURES

- Output power: 600mW
- Wavelength: 830±0.5nm Lock wavelength
- Current locking range: 0.3-1.4A
- Fiber core diameter: 105 μm
- Numerical aperture: 0.22NA
- Temperature locking range: 15-35 °C

OUTLINE SIZE(mm)



PARAMETERS

Model	CL830-0.5-600mW-SWL002	
Optical Parameter	Continuous Output Power (mW)	600
	Center Wavelength (nm)	830±0.5
	Spectral Width (nm)	≤0.3
	Characteristics of Wavelength With Temperature (nm/°C)	0.02
	Characteristics of Wavelength With Current (nm/A)	0.05
Electrical Parameter	Threshold Current (A)	0.35
	Operating Current (A)	1.16
	Operating Voltage (V)	1.89
	Differential Efficiency (W/A)	0.75
	PD Current (μA)	100-600
	Thermistor Parameters (kΩ/β(25°C))	10±5%/3450
	TEC Maximum Current (A)	2.2
Optical Fiber Parameter	TEC Maximum Voltage (V)	8.7
	Fiber Diameter (μm)	105
	Fiber Cladding Diameter (μm)	125
	Fiber Coating Diameter (μm)	250
	Numerical Aperture	0.22
Other Parameter	Connector	SMA905
	Operating Temperature (°C)	10-30
	Operating Relative Humidity (%)	75
	Storage Temperature (°C)	-20~70
	Storage Relative Humidity (%)	90
	Pin Soldering Temperature, Max (°C)	250(10 Sec.)

