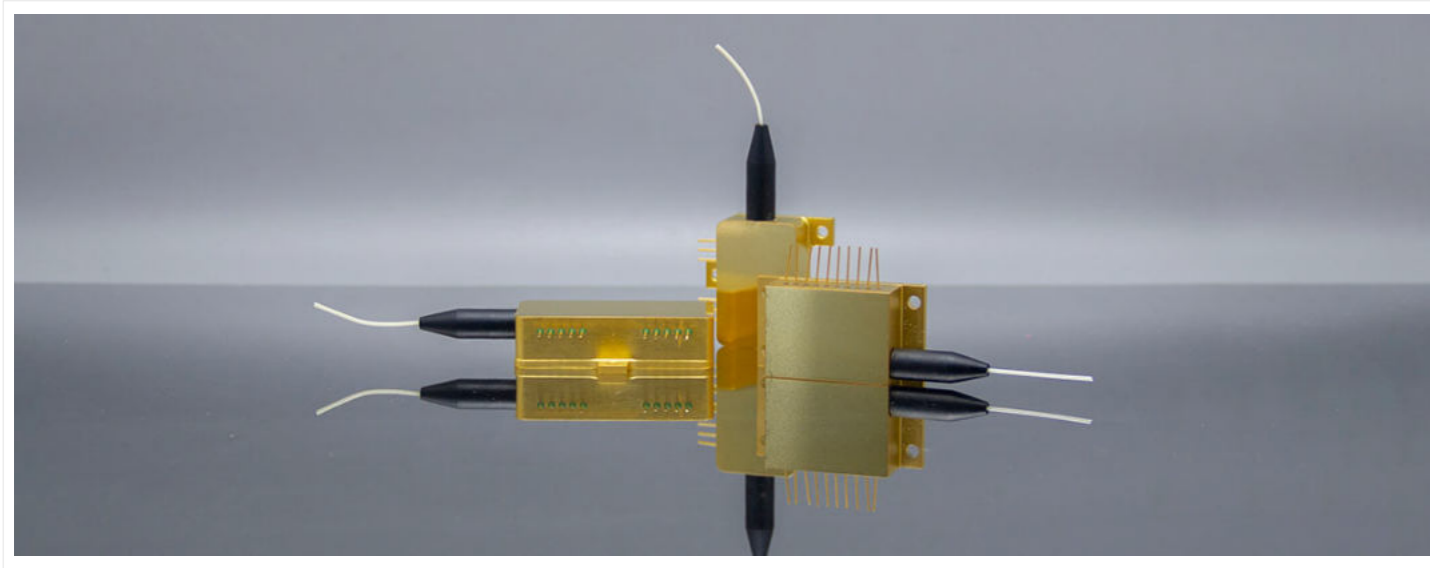
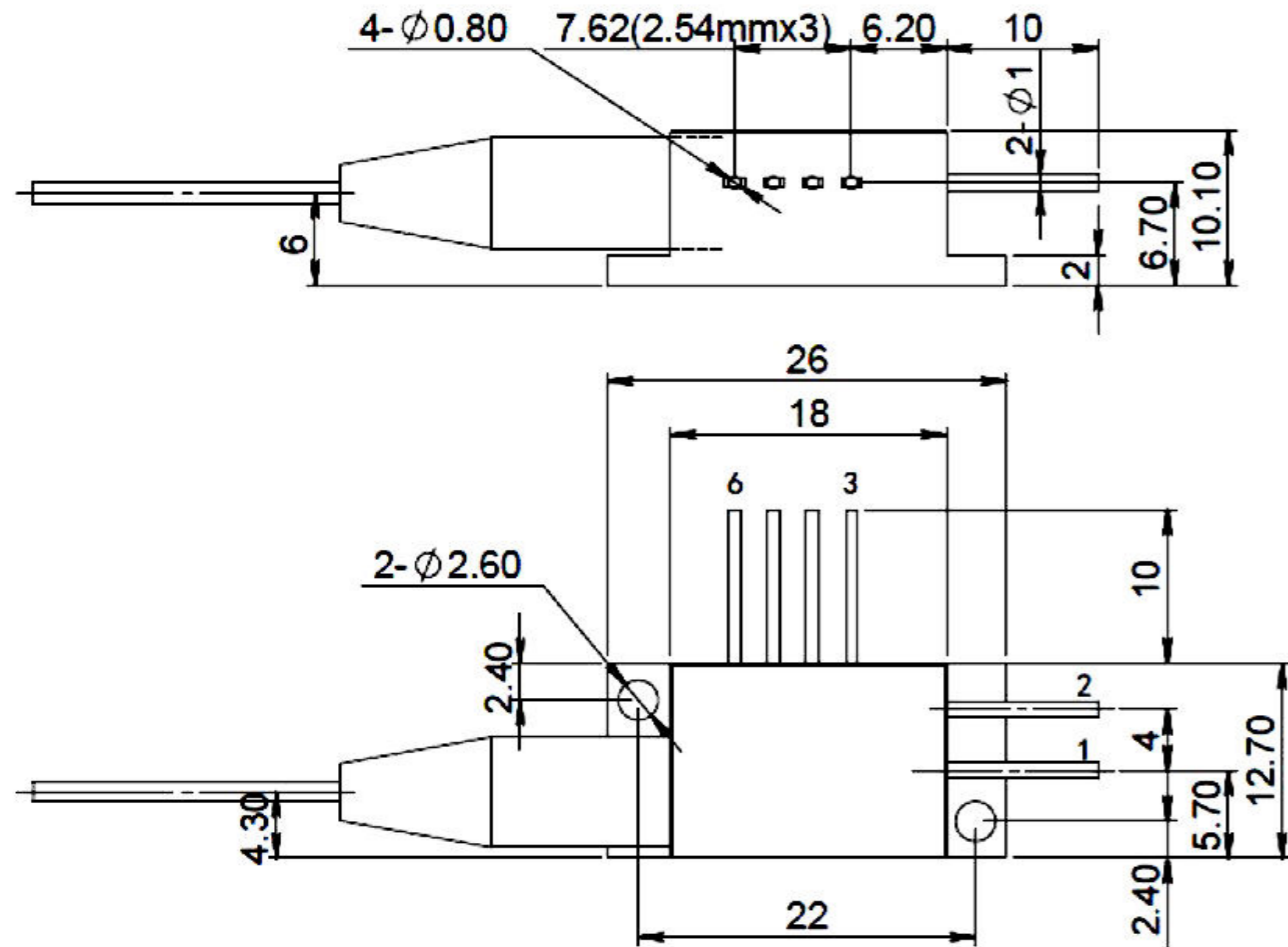


808nm Narrow Linewidth Semiconductor Laser Module



OUTLINE SIZE(mm)



PARAMETERS

Model	CL808-0.5-3W-NSL003	CL808-0.5-600mW-NSL (PD)004		
Optical Parameter	Continuous Output Power (mW)	3000	600	
	Center Wavelength (nm)	808 \pm 0.5	\pm 0.5	
	Spectral Width (nm)	\leq 0.1	\leq 0.1	
	Characteristics of Wavelength With Temperature (nm/ $^{\circ}$ C)	0.02	0.01	
	Characteristics of Wavelength With Current (nm/A)	0.05	0.05	
Electrical Parameter	Threshold Current (mA)	0.8	0.3	
	Operating Current (mA)	4	1	
	Operating Voltage (V)	1.9	1.8	
	Differential Efficiency (W/A)	\geq 1.0	1	
	PD Current (μ A)	200-1000	<2000	
	Thermistor Parameters (k Ω / β (25 $^{\circ}$ C))	10 \pm 1%/3450	10 \pm 1%/3450	
	TEC Maximum Current (A)	2.2	2.2	
TEC Maximum Voltage (V)	8.7	8.7		
Optical Fiber Parameter	Fiber Diameter (μ m)	105	105	
	Fiber Cladding Diameter (μ m)	125	/	
	Fiber Coating Diameter (μ m)	250	/	
	Numerical Aperture	0.22	0.22	
	Connector	SMA905, FC/PC	SMA905	
Other Parameter	Operating Temperature ($^{\circ}$ C)	10-30	10-30	
	Operating Relative Humidity (%)		75	75
	Storage Temperature ($^{\circ}$ C)	-20~70	-20~70	
	Storage Relative Humidity (%)		90	90
	Pin Soldering Temperature, Max ($^{\circ}$ C)	250(10 Sec.)	250(10 Sec.)	

FEATURES

- Output power: 3W
- Wavelength: 808 \pm 0.5nm
- 105 μ m multimode fiber output
- 0.22NA

