

785nm Optical Fiber Output Accurate Wavelength Laser Module of AWO Series



DESCRIPTION

The quasi wavelength semiconductor laser module introduced by our company has a variety of wavelengths to choose from, equipped with standard input / output interface, which can be easily embedded into the user's whole system and achieve stable power output. This series of products adopt optical fiber coupling output mode, equipped with TEC refrigeration module, can provide customized and secondary development services according to customer requirements.

FEATURES

- Power stability is better than $\pm 1\%$ @ 8H
- Built-in TEC, typical power consumption <4W
- Small size, 76.2 × 63.5 × 22mm
- Optional USB control interface, hardware lock

APPLICATIONS

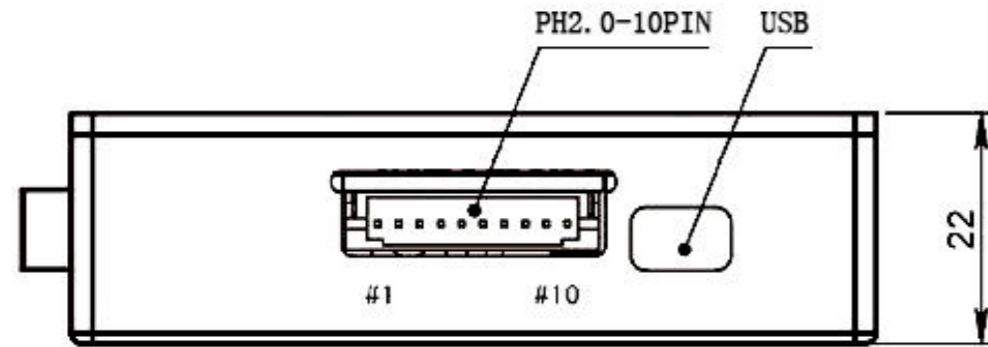
- Fluorescence Spectrometer
- Laser particle size analyze
- Flow cytometry
- Confocal microscope
- Raman spectrometer

PARAMETERS

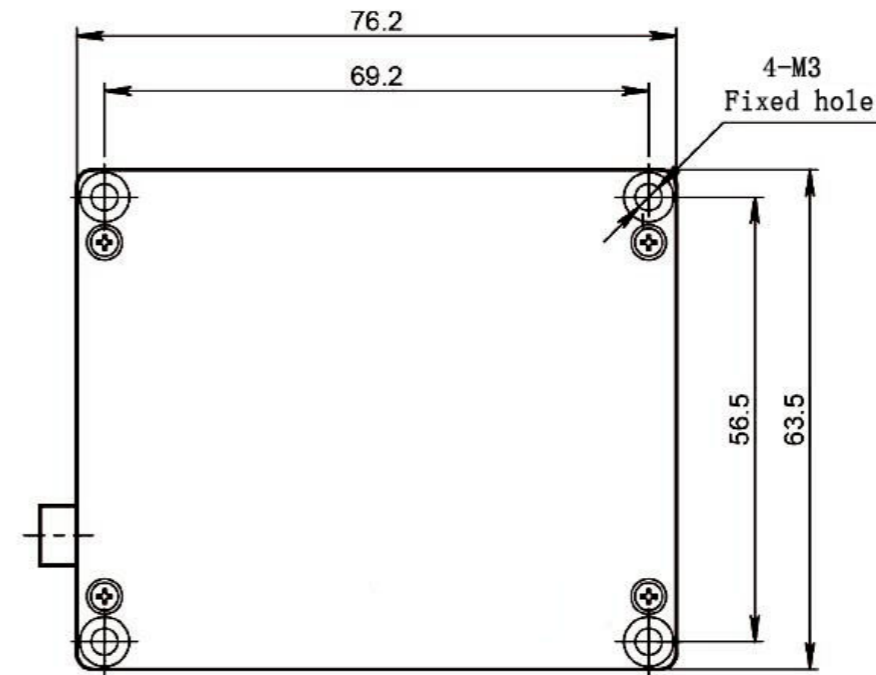
Model	CL785-SIF(FA)-40mW-AW0009	CL785-SIF(FP)-40mW-AW0010	
Optical Parameter	Central Wavelength (nm)	785	785
	Wavelength Tolerance (nm)	± 10	± 10
	Output Power (mW)	40	40
	Line Width (nm)	<6	<6
	Power Stability	$\pm 1.0\%$ @8H	$\pm 1.0\%$ @8H
System Parameter	Power Adjustment Range	0~100%	0~100%
	Preheat Time (Min)	15	15
	Modulation Input	PH2.0-10P	PH2.0-10P
	Fiber Interface	FC/APC	FC/PC
	Power Input	4.9~5.1	4.9~5.1
	System Power Consumption (W)	<4	<4
	Storage Humidity (RH)	0~80%	0~80%
	Storage Temperature (°C)	0~55	0~55
	Operating Temperature (°C)	10~35	10~35
	System Weight (g)	<130	<130
System Size (mm)	76.2×63.5×22	76.2×63.5×22	



OUTLINE SIZE(mm)



Unit:mm



I/O interface definition

Pin	Features	Description
1	empty	* The default value is null, hardware lock or 1.2V reference voltage output is optional
2	Power control select pin	The selected power at low power level is controlled by pin8, and the default rated power at high level or in suspension
3	GND	Input power ground
4	RT_READ	RT signal level, 1.25V represents 25 °C
5	GND	Input power ground
6	+5V	Input 4.9-5.1v, maximum 2A
7	LASER ENABLE	High level enable laser, suspended or low level shutdown laser
8	Power control select pin	Input 0-1.2v corresponds to 0-100% power output
9	GND	Signal ground
10	PD Monitor	PD output current corresponding voltage

