

# 785nm Narrow Linewidth Laser System of NLM Series



## DESCRIPTION

Narrow linewidth laser system is our special product. This series of products are compact in structure, portable and convenient. The core technologies such as short cavity method, VBG wavelength locking, directional optical feedback, built-in semiconductor refrigeration, etc. are used to realize narrow linewidth, stable power and stable spectral output of laser.

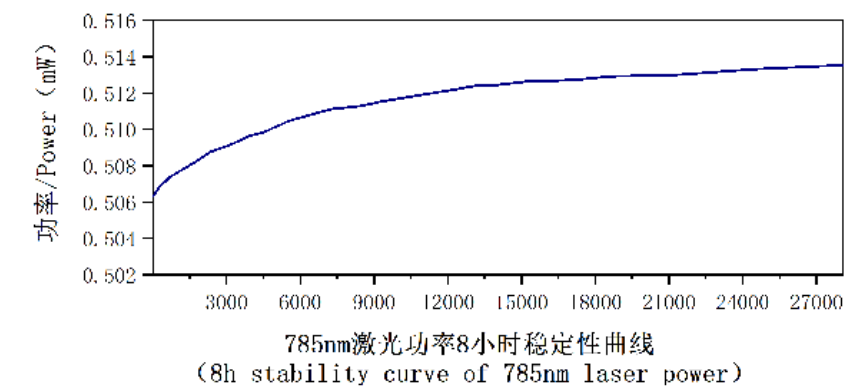
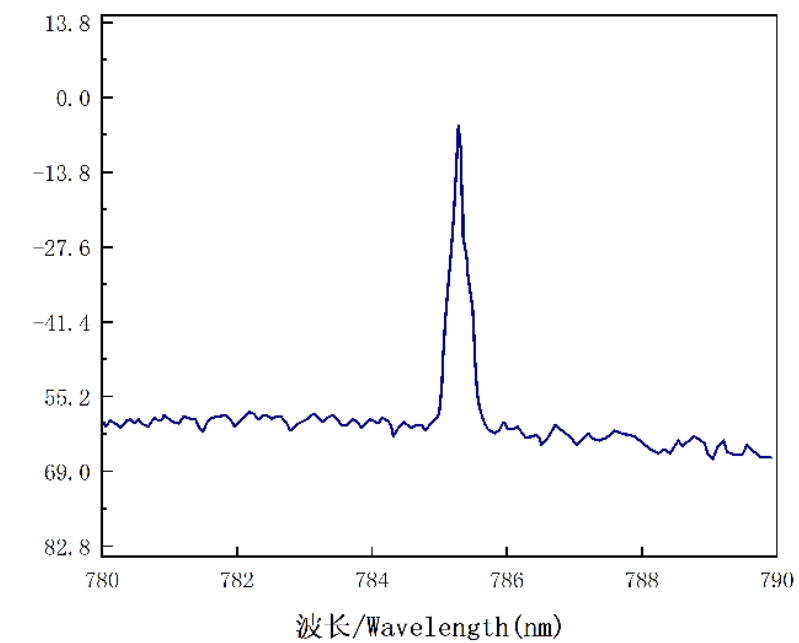
## FEATURES

- Line width <math><0.1\text{nm}</math>
- Frequency stability better than  $\pm 0.005\text{nm}@8\text{H}$
- Side mode rejection ratio is better than 40dB (60dB optional)
- Line width <math><0.1\text{nm}</math>
- Frequency stability better than  $\pm 0.005\text{nm}@8\text{H}$
- Side mode rejection ratio is better than 40dB (60dB optional)
- Portable operation, temperature drift  $<0.007\text{nm} / ^\circ\text{C}</math>, VBG wave lock$

## APPLICATIONS

- Raman spectroscopy
- Fluorescence spectrum detection
- Holographic detection
- Up-conversion material

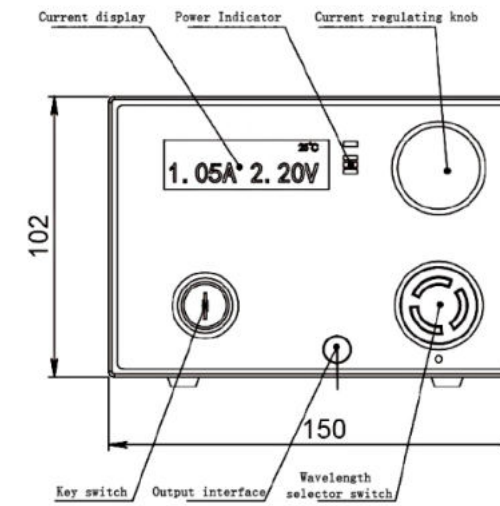
## CHARACTERISTICS OF 785nm LASER ( $25^\circ\text{C}$ )



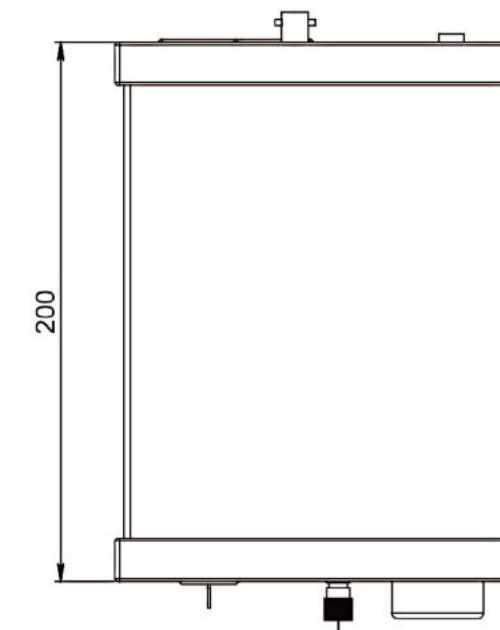
## PARAMETERS

Model	CL785-MIF(S)-500mW-NLM006	CL785-MIF(FP)-500mW-NLM007
Central Wavelength (nm)	785	785
Output Power (mW)	500	500
Wavelength Tolerance (nm)	±0.5	±0.5
Optical Parameter		
Line Width (nm)	<0.1	<0.1
Wavelength Stability	±0.005nm@8H	±0.005nm@8H
Power Stability	±1.0%@8H	±1.0%@8H
Edge Mode Rejection Ratio (dB)	40	40
Power Adjustment Range	0~100%	0~100%
Preheat Time (min)	15	15
Modulation Input	1kHz TTL Or Analog signal 0-5V	1kHz TTL Or Analog signal 0-5V
Control Interface	USB, BNC	USB, BNC
Fiber Interface	SMA905	FC/PC
Adaptive Optical Fiber	105μm, 0.22NA	105μm, 0.22NA
System Parameter		
Power Input	100V-240V 50/60Hz	100V-240V 50/60Hz
System Power Consumption (W)	<7	<7
Storage Temperature (°C)	-10~60	-10~60
Storage Humidity	0~80%RH	0~80%RH
Operating Temperature (°C)	10~35	10~35
System Weight (Kg)	2.5	2.5
Laser Power Size (mm)	150 x 102 x 200	150 x 102 x 200

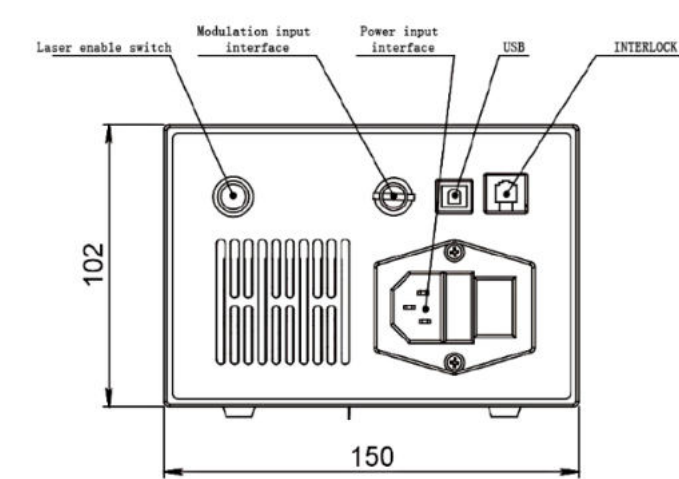
## OUTLINE SIZE(mm)



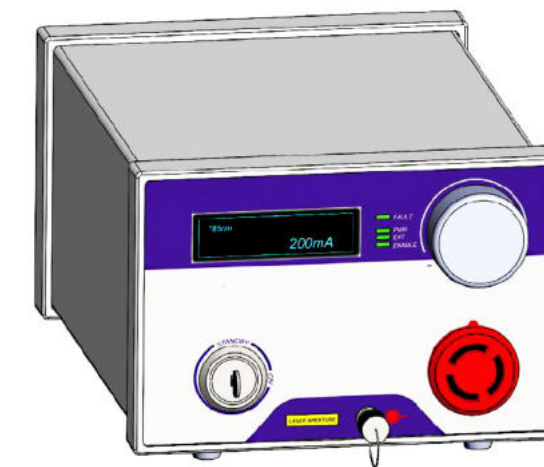
Front View



Top View



Rear View



Unit: mm

