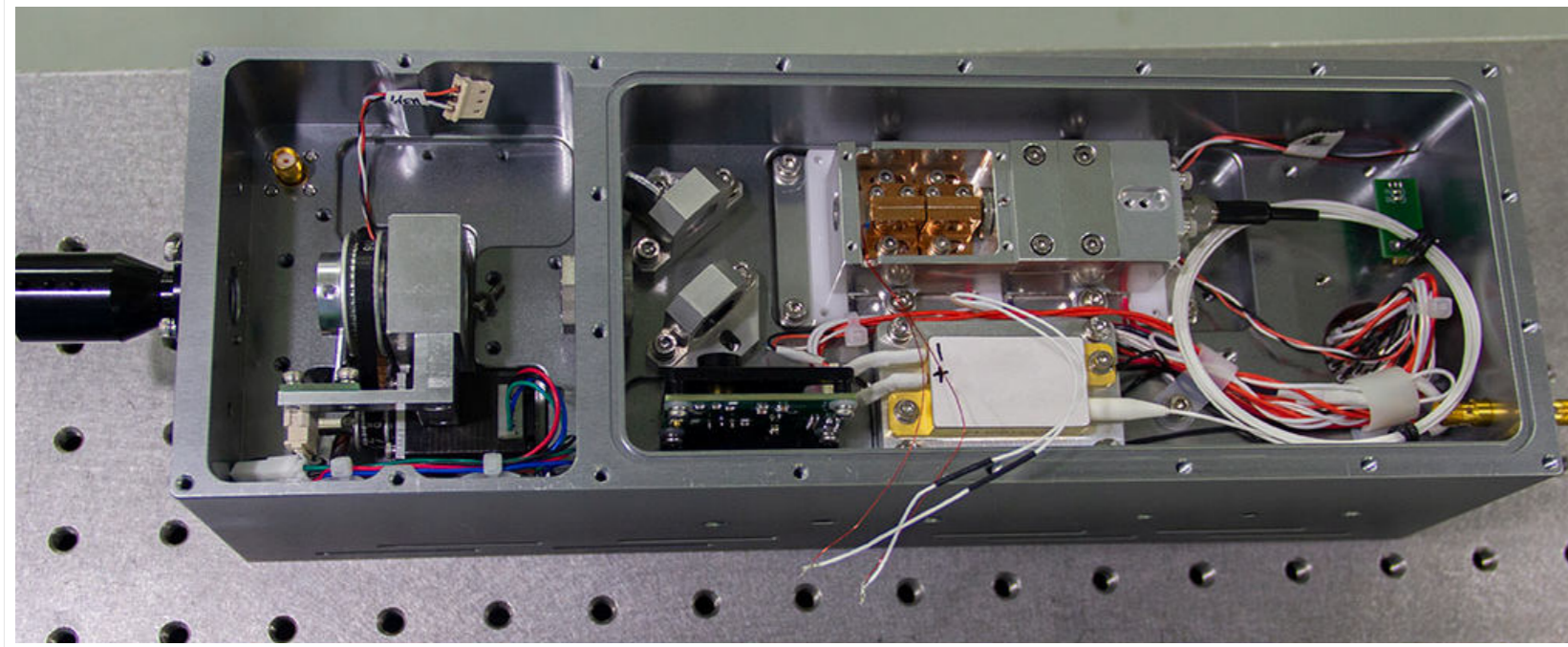
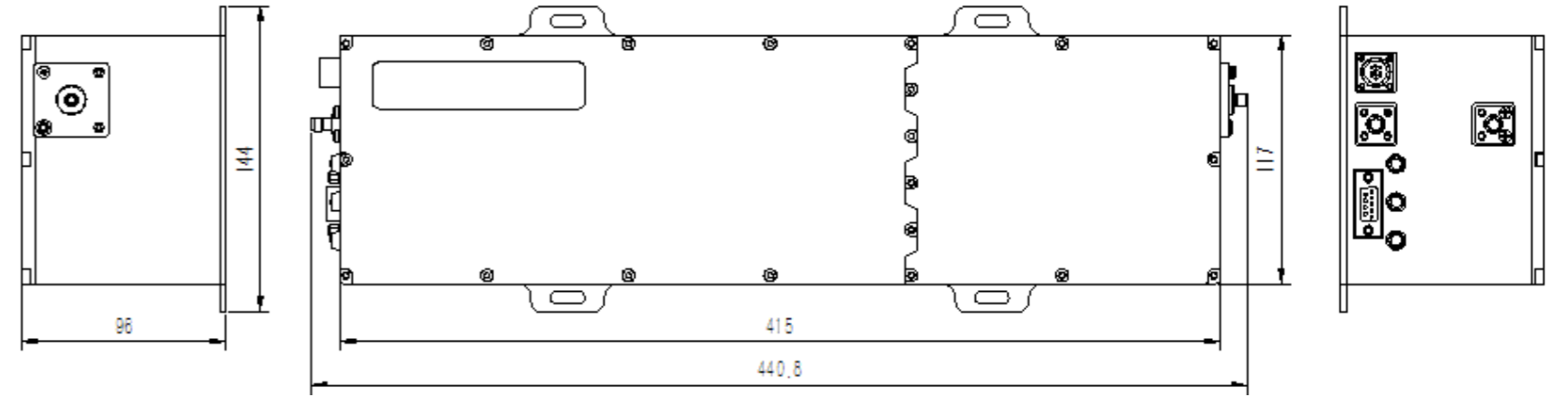


355nm Passive Q-Switched Laser



STRUCTURAL DIMENSION DRAWING



DESCRIPTION

For the passive Q-switched microchip laser, the jitter of the output signal and the external trigger signal is less than 10 μ s. The laser can be used alone or as seed source of laser amplifier. At the same time, the laser amplifier of our company can be used to amplify the energy to tens of mJ. At the same time, the wavelength can be extended to 532nm, 355nm, 266nm, etc. The product has the advantages of good beam quality, high peak power, reliable performance, compact structure, simple operation and maintenance. Combined with excellent production technology, this series of products can meet the requirements of airborne, vehicle mounted, high and low temperature and other harsh environments.

Main features of this series of lasers: Sub-nanosecond, high peak power; High beam quality; High stability and compact structure; Strong environmental adaptability, working at -20 ~ 60 $^{\circ}$ C; 1064nm, 532nm, 355nm wavelength optional; Typical application; Lidar; Laser micromachining; Nonlinear spectroscopy; Terahertz generation.

FEATURES

- Structural design of passive Q-switched microchip
- Narrow pulse width and high peak power
- High stability and compact structure
- Integrated photodetector

APPLICATIONS

- Laser Radar
- Point Cloud Imaging Radar
- Ranging
- Laser Remote Sensing
- Photoelectric Detection
- Laser Fine Processing

PARAMETERS

		CL355-30 μ J-PQNL001	CL355-60 μ J-PQNL002	CL355-100 μ J-PQNL003
Optical Parameter	Energy @355nm	> 30 μ J	> 60 μ J	> 100 μ J
	Energy Stability	< 3%	< 3%	< 3%
	Repeat Frequency	1~500Hz	1~100Hz	1~100Hz
	Pulse Width	< 1.5ns	< 1.5ns	< 1.5ns
Function Parameter	Control Interface	DB9,RS422	DB9,RS422	DB9,RS422
	Cooling Method	Air Cooling	Air Cooling	Air Cooling
	powered By	220VAC/50Hz	220VAC/50Hz	220VAC/50Hz
Environmental Requirements	Output Power	< 50W	< 80W	< 100W
	Operating Temperature	15-40 $^{\circ}$ C	15-40 $^{\circ}$ C	15-40 $^{\circ}$ C
	Storage Temperature	-5-60 $^{\circ}$ C	-5-60 $^{\circ}$ C	-5-60 $^{\circ}$ C
	Humidity	0-80%	0-80%	0-80%
Weight & Size	Laser Weight	< 10kg	< 12kg	< 15kg
	Laser Size	441*117*96mm	480*120*96mm	520*120*96mm

