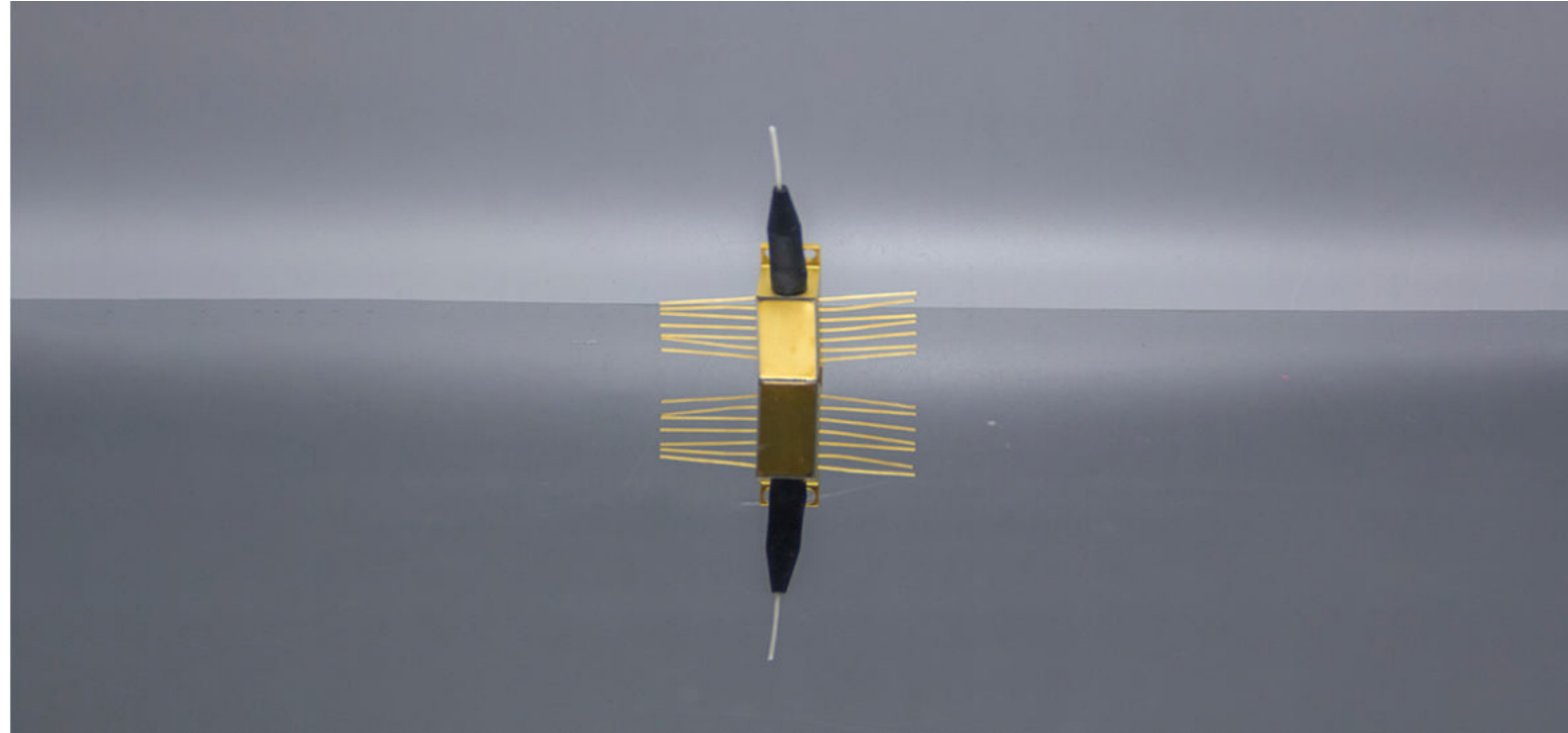
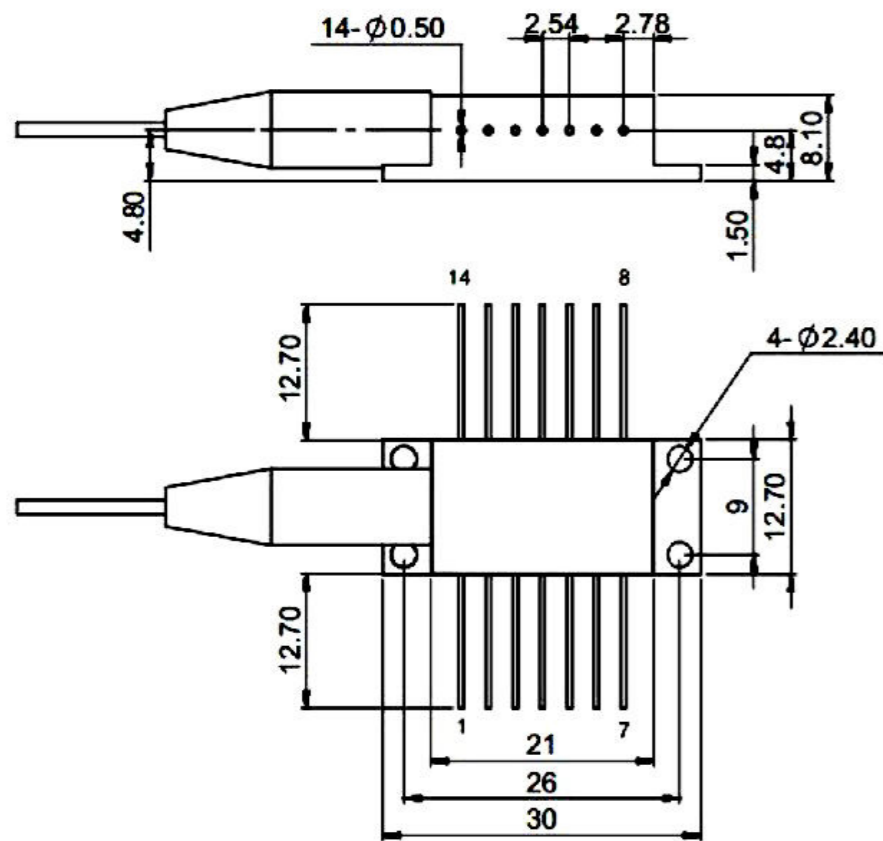


# 1064nm Narrow Linewidth Semiconductor Laser



## OUTLINE SIZE(mm)



## PARAMETERS

Model		CL1064-0.5-600mW-NSL(PD)005
Optical Parameter	Continuous Output Power (mW)	600
	Center Wavelength (nm)	1064±0.5
	Spectral Width (nm)	≤0.1
	Characteristics of Wavelength With Temperature (nm/°C)	0.02
	Characteristics of Wavelength With Current (nm/A)	0.05
Electrical Parameter	Threshold Current (A)	0.19
	Operating Current (A)	1.18
	Operating Voltage (V)	1.8
	Differential Efficiency (W/A)	0.6
	PD Current (μA)	200-2000
	Thermistor Parameters (kΩ/β(25°C))	10±5%/3450
	TEC Maximum Current (A)	2.2
	TEC Maximum Voltage (V)	8.7
Optical Fiber Parameter	Fiber Diameter (μm)	105
	Numerical Aperture	0.22
	Connector	SMA905
Other Parameter	Operating Temperature (°C)	10-30
	Operating Relative Humidity (%)	75
	Storage Temperature (°C)	-20~70
	Storage Relative Humidity (%)	90
	Pin Soldering Temperature, Max (°C)	250(10 Sec.)

## FEATURES

- Line width <0.1nm
- Temperature drift <0.007nm/°C, VBG wave lock
- Built-in TEC

## APPLICATION

- Confocal microscope
- Laser particle size analyzer
- Medical applications
- Up-conversion material

